



Ready for snow since 1929

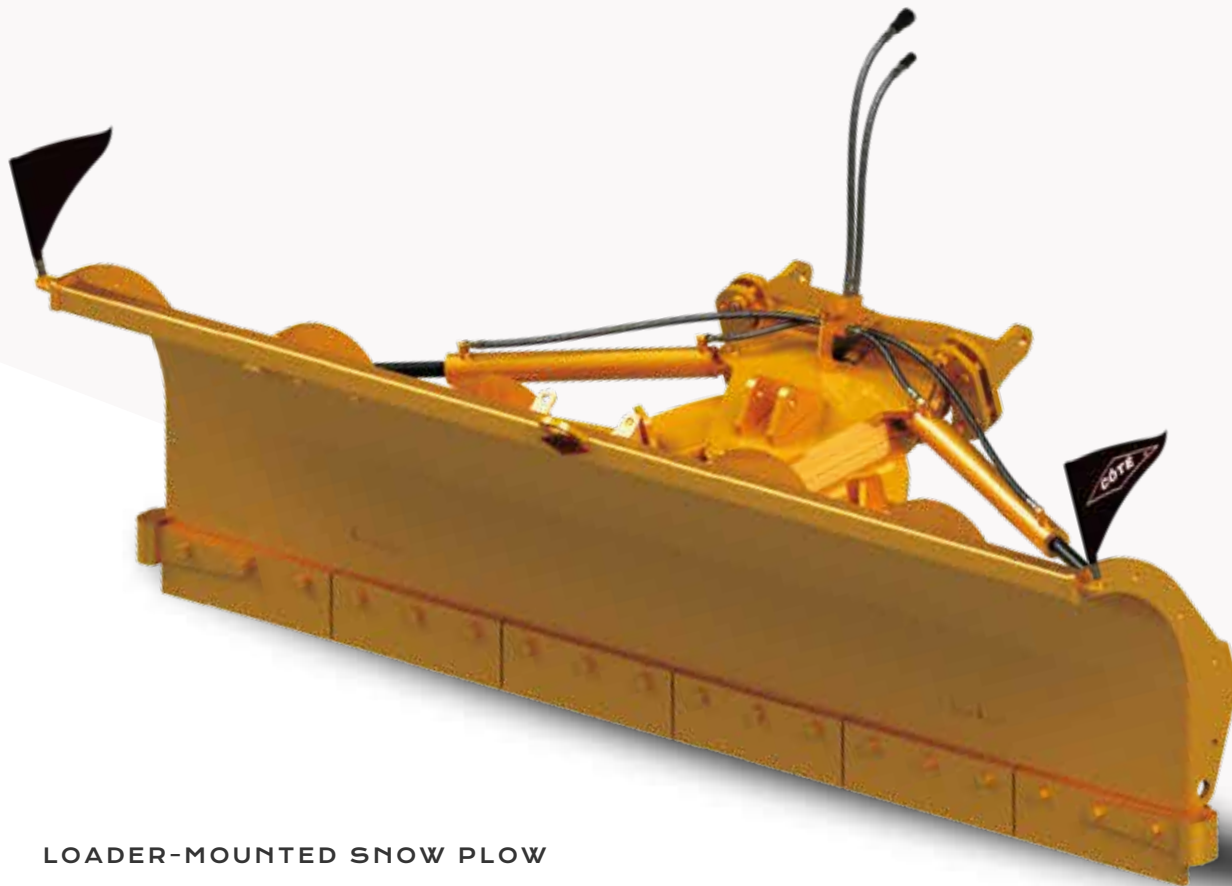
MANUFACTURER  
OF SNOWPLOW AND ICE REMOVAL EQUIPMENT

LOADER-MOUNTED SNOW PLOW

**OH4500** HD

PLOW IDEAL FOR MANY TYPES  
OF SNOW CLEARING






#### LOADER-MOUNTED SNOW PLOW

The rugged design of its facet-folded moldboard makes the OH4500HD the perfect plow for many types of snow clearing work. With this pressure arm/self-floating system, you can do conventional snow clearing as well as heavy-duty ice removal, which requires applying considerable pressure.

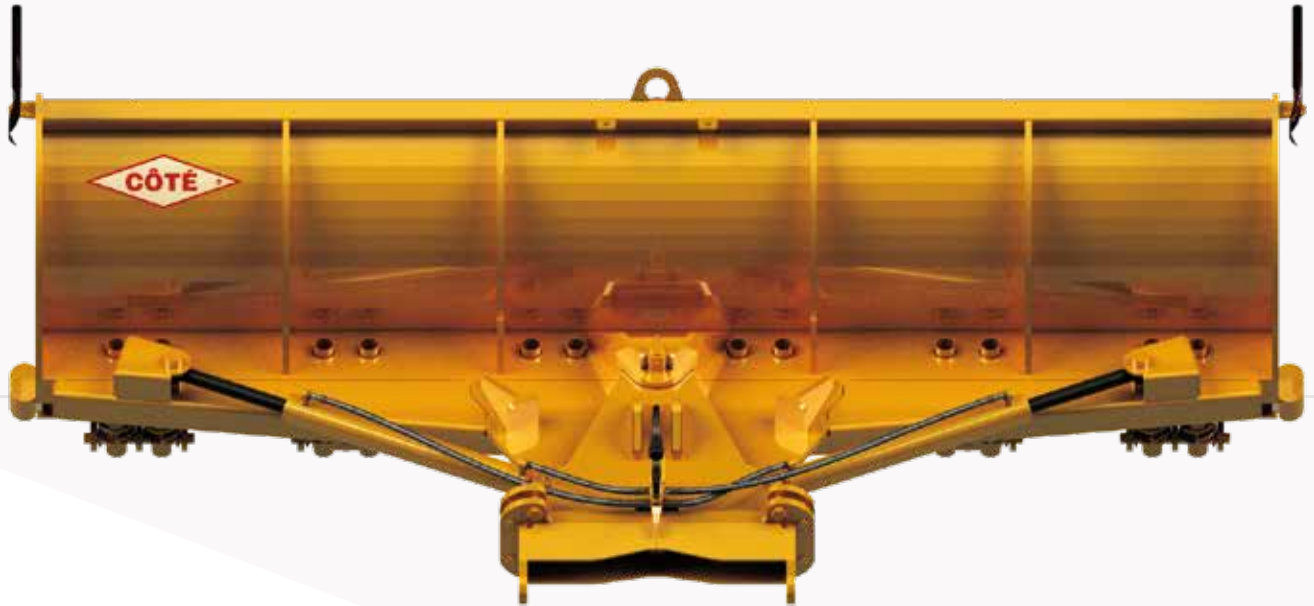
#### MODELS, DIMENSIONS AND WEIGHTS

 SERIES	WIDTH	HEIGHT
4504	12 ft.	44 in.
4505	12 ft.	54 in.
4507	14 ft.	44 in.
4508	14 ft.	54 in.
4511	16 ft.	54 in.
4516	20 ft.	44 in.
4517	20 ft.	54 in.

W. Côté et fils reserves the right to modify the design of its products without notice.

## TECHNICAL SPECIFICATIONS

The OH4500HD is equipped with a unique blade tilting system, with compression coil springs and double-acting cylinders offering a more efficient angle of attack.



## OPTIONS

Several options are available: tungsten carbide blades, carbide shoes and side protectors, rubber snow deflector and fixed, removable or foldable snow guard.



Ready for snow since 1929

19, Côté Street  
Mercier (Québec)  
Canada, J6R 2B9

☎ 450-691-2967  
@ info@w-cote.com

[www.w-cote.com](http://www.w-cote.com)

**M A N U F A C T U R E R**  
**OF SNOWPLOW AND ICE REMOVAL EQUIPMENT**

